

## ROTARY VALVE

Airlock range of **SIMPLY DEMOUNTABLE (SD/CSR) DROP THRU'** Rotary Valves are designed for Feeding, Pneumatic Conveying and Metering of Products in Powder, Granular and Pellet form.

SD/CSR Valves are available for use in Dairy, Food, Chemical, Plastics, Pet Food and Other Dry Bulk Material Handling Industries.

The Standard SD/CSR Rotary Valve will have 9 Bladed Rotor.

Different Types of Shaft Sealings are provided depending on the Product and Application.

### FEATURES :

- Good Throat Opening and Angle ensures Maximum Filling Efficiency
- Reduced Air Leakage
- 10 bar Pressure Shock Resistance
- ATEX Approved
- MOC in Cast Iron and Stainless Steel
- Supporting Cross Slide Rails for Easy Removal of Rotor and End Cover
- Increased Safety at Work
- Dairy Sanitary Seals (DSS)
- Only Direct Drive

### APPLICATION :

- ❖ Lean Phase Pneumatic Conveying
  - Pressure
  - Vacuum
- ❖ Gravity Feeding
- ❖ Metering

### DESIGN :

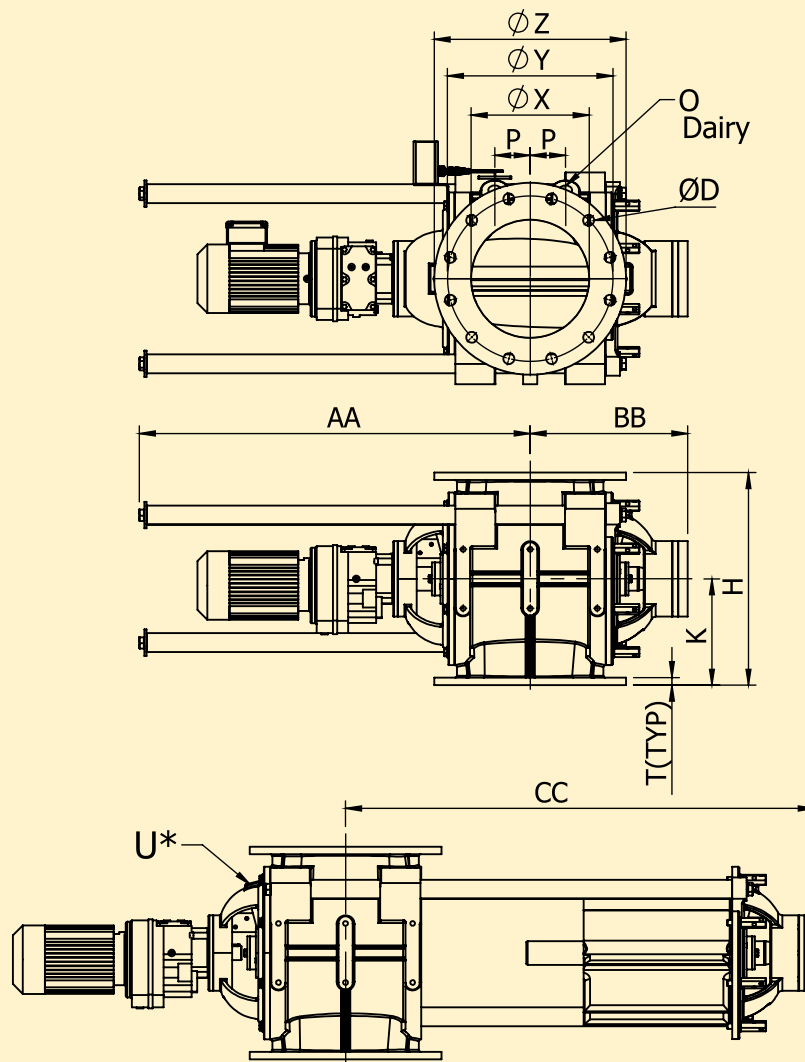
- Sizes from 150 to 350 mm
- DIN / ANSI / JIS Drilling Patterns
- Operating Temperature up to 150 deg C

### OPTIONS :

- Chrome Coating
- Tungsten Carbide Coating
- Drop-out Box
- Inlet Restrictor
- Zero Speed Sensor
- High Temperature Modifications
- Pressure Regulator
- Flow Meter
- ATEX / IECEX Rated Electrical Components
- Product Contact Surfaces Polished to 0.8µm
- 'U' Shaped Rotor Pockets

# Rotary Valve

# DT-SD/CSR



Size	Swept Volume m <sup>3</sup>	DIN			ANSI			H	K	O Dairy (UNEF)	P	T	U*(BSP)
		$\phi X$	$\phi Y$	$\phi D$	$\phi Z$	$\phi Y$	$\phi D$						
150	0.003	150	240	8x $\phi 23$	285	241.3	8x $\phi 23$	280	140	1-1/8"	40	12	1/4"
175	0.006	175	270	8x $\phi 23$	315	-	-	330	165	1-1/8"	53	14	1/4"
200	0.011	200	295	8x $\phi 23$	343	298.4	8x $\phi 23$	390	195	1-1/8"	65	14	1/4"
250	0.019	250	350	12x $\phi 23$	406	361.9	12x $\phi 25.4$	450	225	1-1/8"	75	16	1/4"
300	0.034	300	400	12x $\phi 23$	483	431.8	12x $\phi 25.4$	540	270	1-1/8"	95	21	3/8"
350	0.058	350	460	16x $\phi 23$	530	476.2	12x $\phi 28.6$	660	330	1-1/8"	112	26	3/8"

Size	AA	BB	CC	Type SEW
150	655	255	805	RF 37
175	630	285	785	RF 37
200	855	310	1020	RF 47
250	830	340	1000	RF 47
300	895	400	1080	RF 57
350	855	440	1045	RF 67

\*Air purge Connection

All dimensions are in mm.

Note: We reserve the right to modify the dimensions without prior notice.

**Manufactured By**

**AIRLOCK INDIA PVT. LTD.**

1/15-8, Ponnandampalayam,  
Arasur - Annur Road, Thennampalayam,  
Coimbatore - 641 659, Tamilnadu, INDIA

Phone : +91 (422) 6678535

Email : sales@airlockintl.co.in

Web : www.airlockintl.co.in