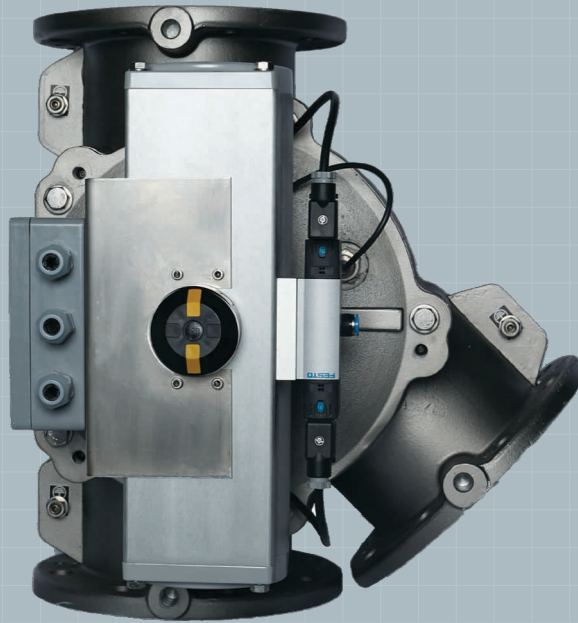


Single Tunnel Drum Type Diverter

SDTD



SINGLE TUNNEL DRUM TYPE DIVERTER

Our **SDTD** are designed to divert dry materials such as Powders, Pellets, Kibbles and Granules with minimum degradation in Pneumatic Conveying.

Our Diverters are used in Food, Chemical, Plastics, Pet Food, Pharmaceutical and other process industries.

The **SDTD** is available in different sizes starting from 150, 200, 250 & 300mm.

FEATURES :

- Single channel
- Food grade Silicone seal
- ATEX rated
- Product contact areas are Stainless Steel
- Housing, Drum & End Covers are in Aluminium
- No external moving parts
- Pressure up to 1.5 bar with static seals
- Pneumatic actuator operated
- Easy maintenance
- Minimum product degradation

DESIGN :

- Sizes from 150 mm to 300 mm
- DIN / ANSI / JIS drilling patterns
- Operating temperature 80 deg C (Max)

OPTIONS :

- Thicker Stainless Steel liner
- Wear resistant pipe liners
- High temperature construction
- Dynamic seals

APPLICATION :

- ❖ Suitable for Kibbles, Granules and Pellets
- ❖ Only for diverting applications

PRODUCT DETAILS

Single Tunnel Drum Type Diverter (SDTD) is made of Aluminium Lm25 grade through high quality Gravity Die Casting process. The product contact surface are lined with Stainless Steel tubes.

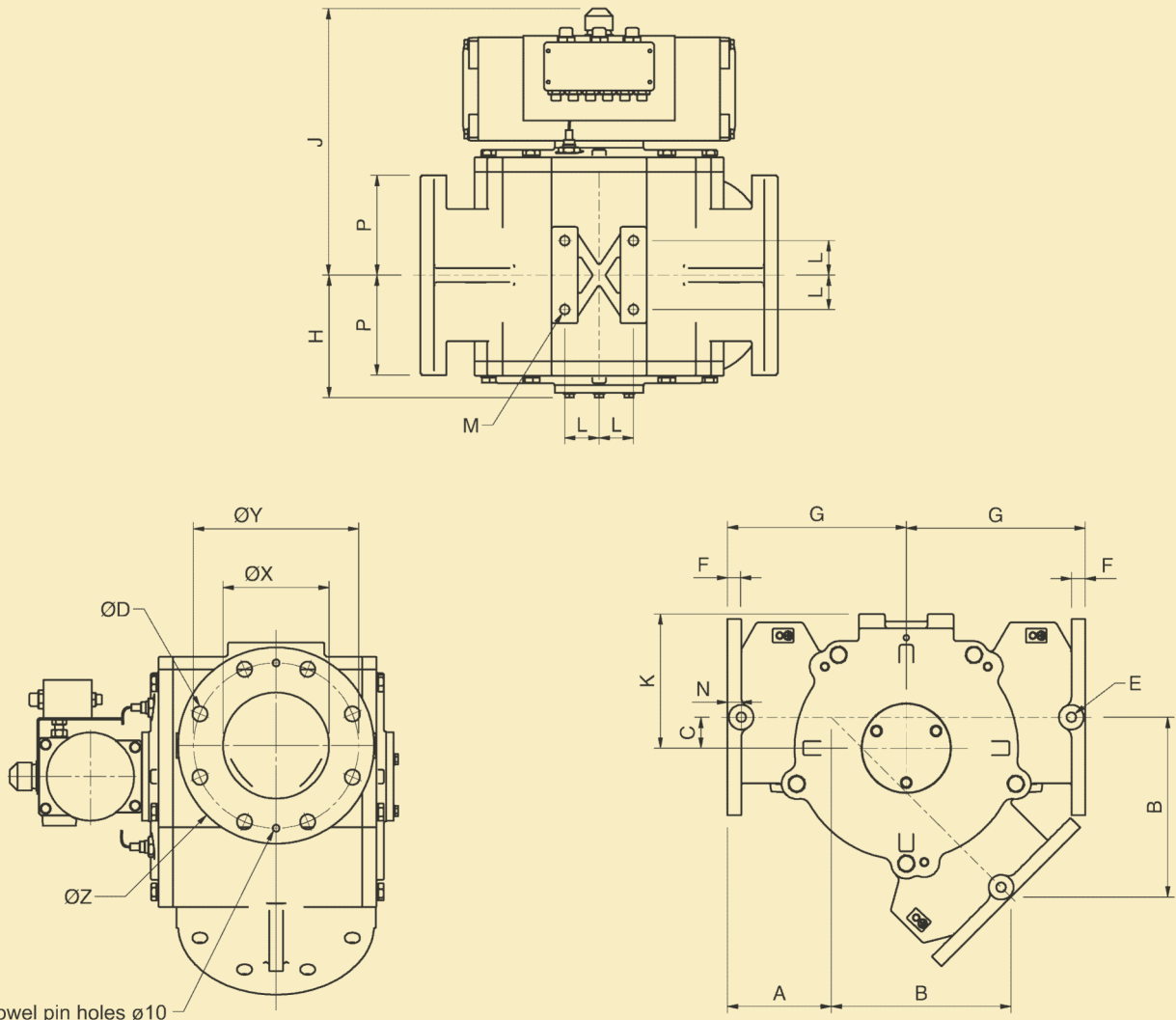
The standard seals are Silicone, FDA approved which ensures better sealing between housing and drum.

The Diverter can be used in pressure conveying where the pressure is less than 1.5 bar with static seals.

The **SDTD** is supplied as complete unit with Pneumatic Actuator and associated components like Solenoid Valve, Solenoid Coils, Junction Box and Position Sensors.

Single Tunnel Drum Type Diverter

SDTD



2 Dowel pin holes ø10 for perfect alignment

Type SDTD	DIN				ANSI			A	B	C	E	F	G	H	J	K	L	M	N	P
	Ø X	Ø Y	Ø D	Ø Z	Ø Y	Ø D														
150	150	240	8xØ22	285	241.3	8xØ22	151	261	45	M16x24	20	260	180	390	195	50	M16x24	20	145	
200	200	295	8xØ22	343	298.4	8xØ22	155	315	60	M16x24	25	300	205	445	240	50	M16x24	25	175	
250	250	350	12xØ22	406	361.9	12xØ25.4	156	384	80	M16x24	25	350	235	500	300	70	M16x24	25	205	
300	300	Drawing and dimensions are available on request.																		

All dimensions are in mm.

Note: We reserve the rights to modify the dimensions without prior notice.



Manufactured By
AIRLOCK INDIA PVT. LTD.
 1/15-8, Ponnandampalayam,
 Arasur - Annur Road, Thennampalayam,
 Coimbatore - 641 659, Tamilnadu, INDIA
 Phone : +91 (0422) 6678535
 Email : sales@airlockintl.co.in
 Web : www.airlockintl.co.in